



# MEB

Simco-Ion offers a very wide range of anti-static bars. They all have properties, often specifically designed for the application where they are being used. MEB / MEJ anti-static bars are often used on production machines where short range ionisation is possible and where no moving machine parts are interfering the ionisation.

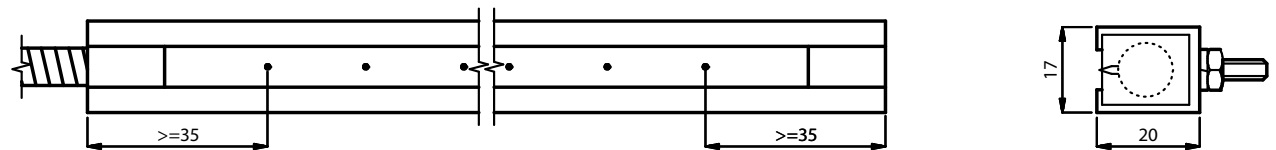
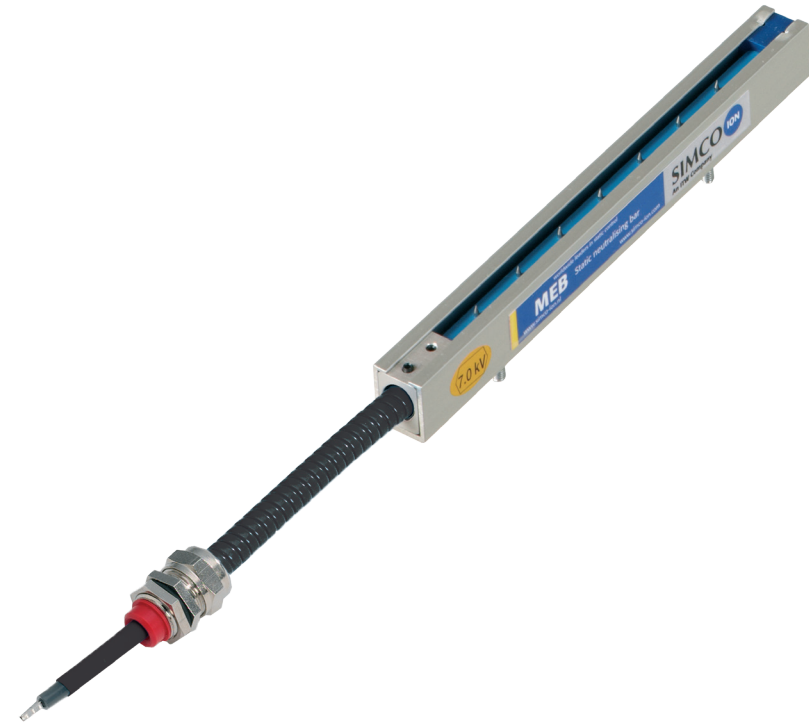
Each individual emitter point of this rectangular anti-static bar is coupled capacitively to the high voltage. You will therefore not get an electrical shock when the emitter pins are accidentally touched. Another advantage is that the bar continues to function properly when a number of emitter pins are short-circuited, for instance due to heavy fouling.

### Features:

- + Close range neutralisation
- + Right angle cable connections optional

### Technical specifications

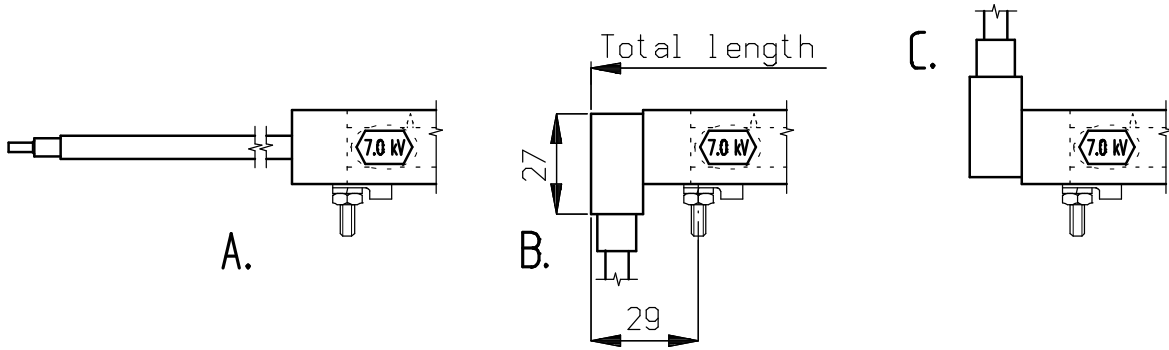
Working distance	30 mm max.
Housing material	anodised aluminium
Inner bar material	PVC
Emitter pins	Special alloy
Cable	Metal shielded
Weight	0,56 kg/m
Use circumstances	Industrial
Operating voltage	7 kV AC
Suitable power unit	A2A7S/ MPM
Approval	UL
Options	Right angle cable exit Airsupport
Maximum length	6000 mm



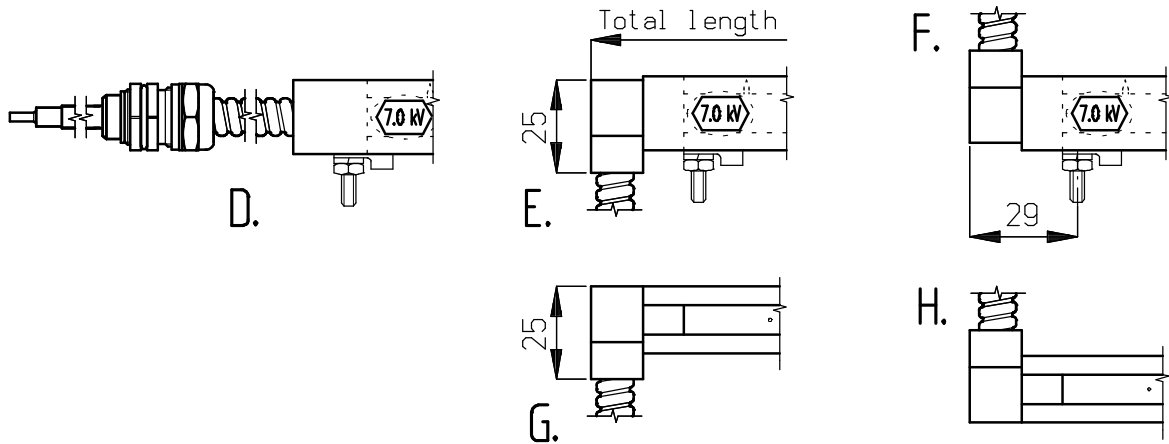
Technical drawing MEB

Cable exit options:

(With standard HV-cable)



(With shielded HV-cable)



Simco-Ion Netherlands

Postbus 71  
 Lochem, The Netherlands NL-7240 AB  
 Tel: +31 (0)573 288333  
 Fax: +31 (0)573 257319  
 general@simco-ion.nl  
 www.simco-ion.nl