



# Performax Easy Ex

Compact high efficient static neutralising for explosion hazardous environments. The Performax Easy Ex has an integrated high voltage power supply and requires only a low voltage input of 24V DC.

A two color high bright LED visualises bar ON (green) or bar ALARM (red). On the standard connection cable an additional wire for remote on/off contact is available and a signal indicating high voltage O.K.

The Performax Easy Ex bar has light slanted ends and protection classification IP66 which allows easy cleaning. The aluminum profile offers a very rugged structure even up to 3 meters. Universal mounting brackets are supplied for various mounting options.

Performax Easy Ex anti-static bars are available in two variations:


- + **+** Standard, for all applications with a working distance between 100 and 300 mm.
- + **+** Speed, for high speed applications and for a working distance between 50 and 300 mm.

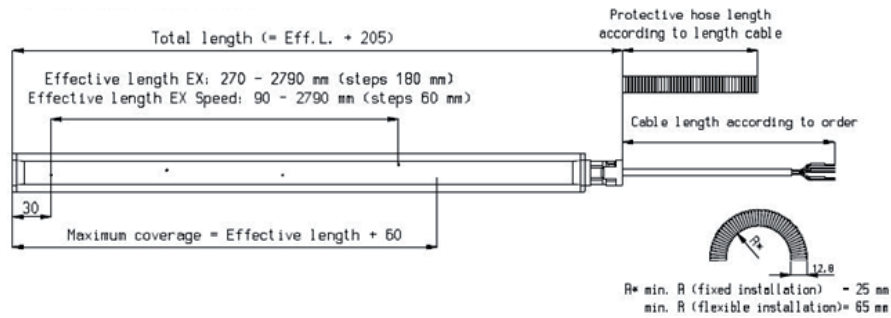
**Features:**

- + **+** Incorporated high voltage power supply, input voltage 24V DC
- + **+** Standard 10 or 20 m cable
- + **+** Rugged Aluminum profile
- + **+** Designed for industrial use and easy cleaning; (protection classification IP66)
- + **+** Universal mounting brackets
- + **+** No HV cable in Ex Area
- + **+** Complies to the latest standards
- + **+** 4 year warranty



**Technical specifications**

Working distance	Performax Easy Ex: 100-300 mm Performax Easy Ex Speed: 50-300 mm
Material speed	Performax Easy Ex: 0 – 500 m/min Performax Easy Ex Speed: >500 m/min
Housing material	Aluminium / PA6 / PUR
Emitter pins	Special alloy
Cable	Low voltage cable 5x 0,34mm <sup>2</sup>
Weight	2,2 kg/m
Ambient temperature	0-40 °C
Use circumstances	Industrial
U primary	24 V DC, <0,5 A
Protection classification	IP66
Suitable power unit	Intergrated, 24V DC voltage input
Indication	High bright LED green/red
Signalling	Continuous    Flashing Green In Operation Standby Red    Overload    HV OK overload
I/O signals	Remote on/off; 10-30 V DC High voltage OK; Supply voltage -1V. Max. 50 mA
Options	Desktop power supply (100-240 V AC/ 24 V DC) Loose power supply (100-240 V AC/ 24 V DC)
Approval	ATEX  II 2 GD Ex mb IIB T4 Gb Ex mb IIIB T135°C Db
Patented	

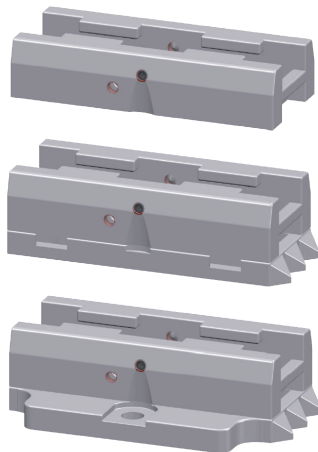


Technical drawing Performax Easy Ex (Speed) with PA protective hose

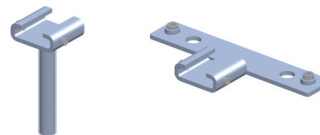


Status Module

The bar is connected via the status module that contains the required fuse and also displays status information outside the Ex zone.



Universal mounting brackets are standard supplied



Optional, metal mounting brackets available

**Simco-Ion Netherlands**

Postbus 71  
 Lochem, The Netherlands NL-7240 AB  
 Tel: +31 (0)573 288333  
 Fax: +31 (0)573 257319  
 general@simco-ion.nl  
 www.simco-ion.nl